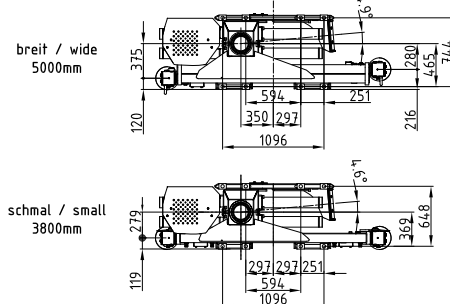
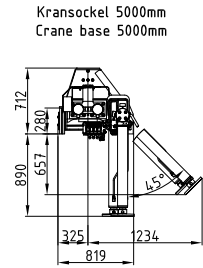
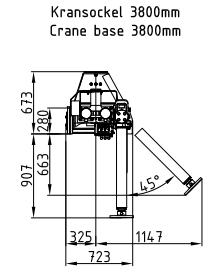
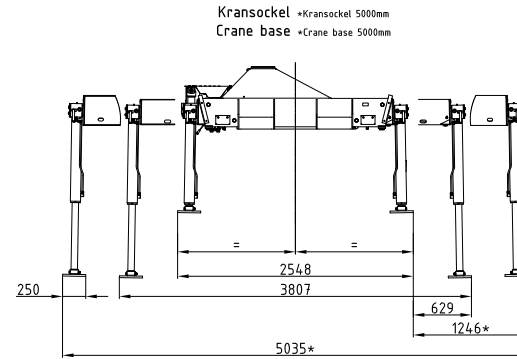
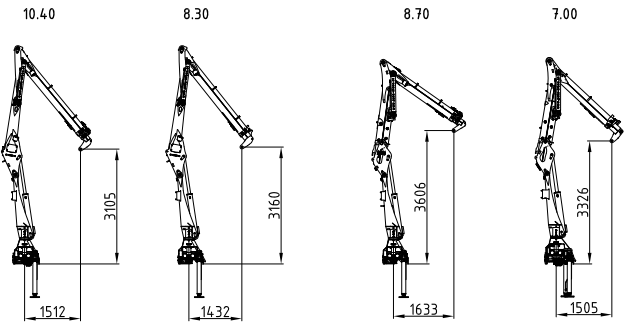
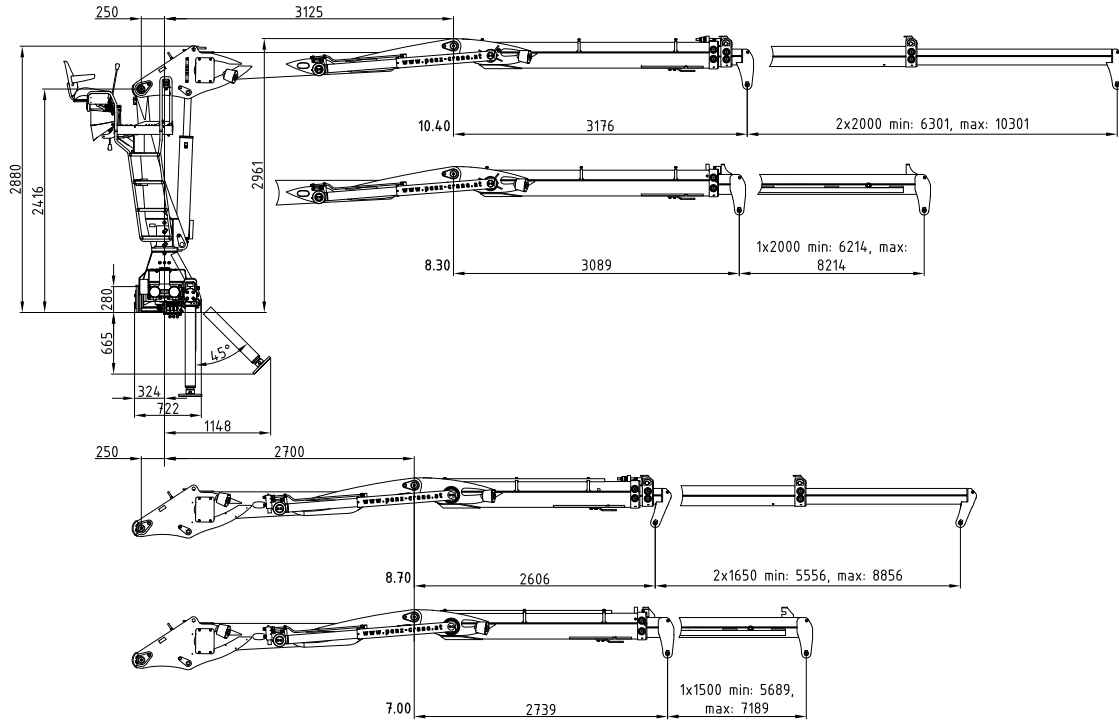


12 ZE 13 ZEp+

110 - 120 kNm	5,5 - 10,4 m	3,1 - 3,6 m	3,8 - 5 m	2.180 - 2.360 kg	425°	25 kNm	255 - 285 bar	1x Minimum 100 l/min ~ 50 kW	2x Minimum 75 l/min ~ 79 kW	LS Minimum 160 l/min ~ 80 kW



	2600	2070	1710	1440	1230	1080	800	[kg]
12ZE10.40	2600	2070	1710	1440	1230	1080	800	[kg]
13ZEp+10.40	2910	2310	1910	1610	1370	1200	890	[kg]
12ZE8.30	2730	2170	1800	1520	1280			[kg]
13ZEp+8.30	3050	2430	2010	1700	1430			[kg]
	4m	5m	6m	7m	8m	9m	10m	

	2700	2150	1790	1530	1240	[kg]
12ZE8.70	2700	2150	1790	1530	1240	[kg]
13ZEp+8.70	2835	2260	1880	1610	1300	[kg]
12ZE7.00	2845	2270	1890	1610		[kg]
13ZEp+7.00	2990	2385	1985	1690		[kg]
	4m	5m	6m	7m	8m	

